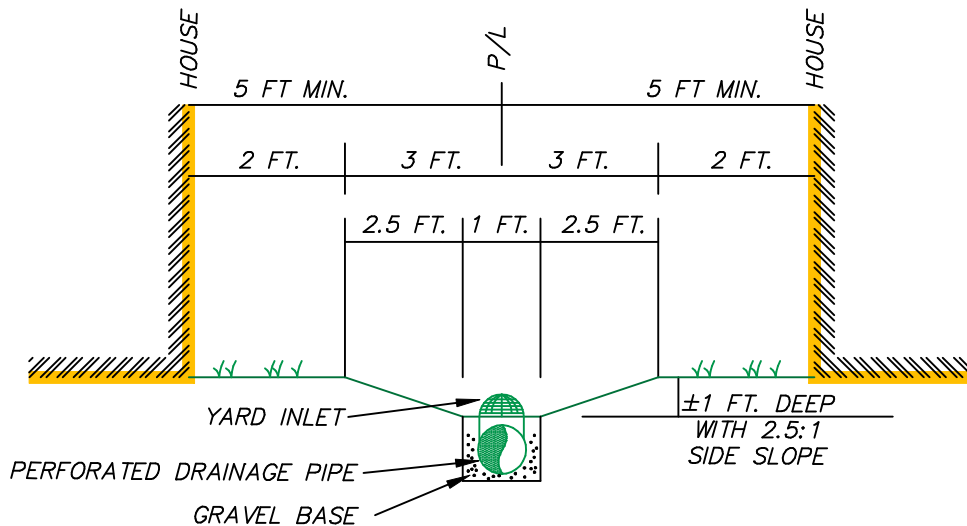


TYPICAL SLAB HOME STORM WATER FLOW PATTERNS

HOMES WITH A MINIMUM OF 10 FT SEPARATION WILL REQUIRE A SERIES OF SURFACE INLETS TO CATCH DOWN SPOUTS THAT RELEASE INTO HDPE PIPE LOCATED ALONG REAR PROPERTY LINE OR INTO CONSTRUCTED SWALE



SWALE DETAIL FOR BETWEEN HOMES

NOTE: THE DIMENSIONS DEPICTED ARE FOR THE REQUESTED MINIMUMS. SEVERAL LOTS WILL HAVE LARGER DISTANCES BETWEEN HOMES AND THE DIMENSIONS WILL ADJUST ACCORDINGLY. ALL HOMES TO HAVE SIMILAR DIRECTIONAL SWALES OR PIPES PROVIDED.